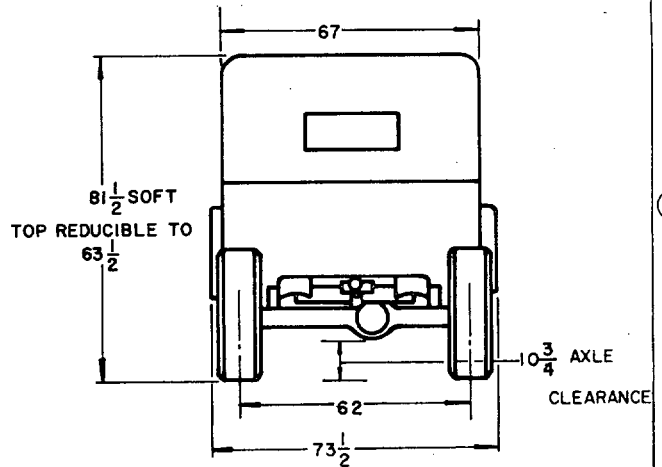
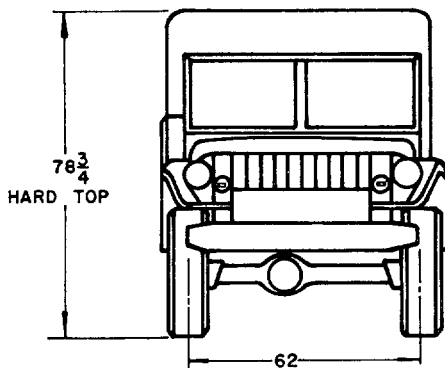
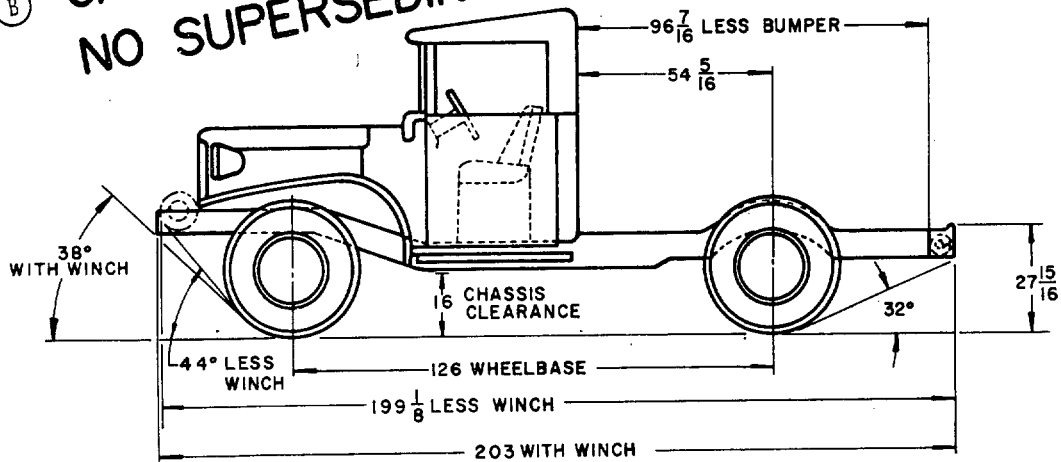


REVIEW USER  
ACTIVITIES: NAVY-YD

(B) CANCELLED AFTER 5 JUNE 85  
NO SUPERSEDING STANDARD.



DIMENSIONS ARE IN INCHES AND ARE SHOWN FOR ENGINEERING REFERENCE ONLY.

(A) ENTIRE STANDARD REVISED

MS PART NO.	ENGINEERING PARTS LIST	
MS 51391 -1	8736166	WITH WINCH
MS 51391 -2	8736370	LESS WINCH

P.A. MO (ATAC) Other Cust NAVY - MC	TITLE <b>CHASSIS, TRUCK, MILITARY DESIGN, M 56 B1, 3/4 TON, 4 X4, 126 INCH WHEELBASE</b>	<b>MILITARY STANDARD</b> <b>MS 51391</b>
PROCUREMENT SPECIFICATION MIL-T-10204	SUPERSEDES:	SHEET 1 OF 2

This military standard is approved for use by all Departments and Agencies of the Department of Defense. Selection for all new engineering and design applications and for repetitive use shall be made from this document when applicable.  
DISTRIBUTION STATEMENT A. Approved for public release; distribution is unlimited.

APPROVED 15 DECEMBER 1961 REVISED (A) 30 DECEMBER 1965 (B) 5 JUNE 1985

VEHICLE CHARACTERISTICS

CURB WEIGHT: FULLY EQUIPPED LESS

PAYLOAD AND PERSONNEL.

	W/W	WO/W
FRONT AXLE	3400	3125
REAR AXLE OR BOGIE	2050	2075
TOTAL	5450	5200 LBS.

GROSS LOAD:

	W/W	WO/W
CROSS COUNTRY	3450	3700
HIGHWAY	3850	4100 LBS.

TOWED LOAD MAX:

CROSS COUNTRY 4000  
HIGHWAY 6000 LBS.

(REFERENCED WEIGHTS ARE FOR INFORMATION ONLY.)

ENGINE:

TYPE: GASOLINE T-245, VALVE IN HEAD.  
NO. OF CYL: SIX IN LINE  
DISPLACEMENT: 230.2, BORE: 3.25  
STROKE: 4.625  
COMP. RATIO: 6.7:1  
GOV. SPEED: 3200 RPM.  
MAX. BHP: 94, NET 77 AT 3200 RPM.  
MAX. TORQUE LB. FT: NET 177 AT 1200 RPM.

TRANSMISSION ASSY: P/N 7373390

FORWARD SPEEDS: FOUR  
GEAR RATIO: 1ST 6.4  
2ND 3.09  
3RD 1.69  
4TH DIRECT

TRANSFER TRANSMISSION: P/N 7373721

NO. OF SPEEDS: 2, FORWARD  
RATIOS: HIGH 1:1  
LOW 1.96:1

FRONT SUSPENSION:

FRONT AXLE: P/N 7373741  
FRONT SPRINGS: 2, P/N 7373771  
SHOCK ABSORBERS: 2, P/N 7373739

REAR SUSPENSION:

REAR AXLE: P/N 7373711  
REAR SPRINGS: 2, P/N 7373761  
SHOCK ABSORBERS: 2, P/N 7373740

TIE DOWNS: NO. 10,

LOCATION: 2 FRONT  
2 REAR  
3 EACH SIDE

WHEELS: MS 53044-2

SIZE: 6.50 x 16, 4 INCH OFFSET

TIRES: 4, PLUS 1. SPARE, MS 35388-11

SIZE: 9.00 x 16, 8 PLY, NDCC.

TUBES: MS 35392-10

STEERING: WORM AND SECTOR P/N 7375403

ELECTRICAL SYSTEM:

POTENTIAL: 24 VOLT  
BATTERIES: 2, 2HN, 12 VOLT, MS 35000  
STARTING MOTOR: P/N 7355723  
GENERATOR: P/N 7524310  
COIL: 8328027  
REGULATOR: 7524309  
B.O. DRIVING LAMP: P/N MS 51318  
B.O. MARKER LAMPS: P/N MS 51303  
STOPLIGHT, TAIL: 2, P/N MS 51329-1  
STOPLIGHT, B.O.: P/N MS 51302-1

REFLECTORS: 4, RED, MS 35387-1  
2, AMBER, MS 35387-2

BRAKES: SERVICE

HUB & DRUM ASSYS

FRONT LH 7705745 RH 7349046  
REAR LH 7349048 RH 7349047  
DRUM SIZE: 14-1/8 x 1-3/4  
BRAKE, PARKING, SIZE: 7 - 13/16  
ACTUATION: HYDRAULIC

WINCH: CAPACITY 7500 LBS. P/N 7728126

PINTLE: MS 51335

PERFORMANCE:

CRUISING RANGE, HIGHWAY: 225 MILES  
MAX. SPEED, HIGHWAY: 55 MPH.

FORDING KIT: P/N 5701838

FORDING DEPTH, WO/KIT: 42 IN.  
FORDING DEPTH, W/KIT: 84 IN.

GENERAL:

THE BASIC DIFFERENCE BETWEEN THE CHASSIS, TRUCK, 3/4 TON, M56 AND CHASSIS, TRUCK, 3/4 TON, M56C IS THE M56C INCORPORATES HEAVY DUTY REAR SPRINGS. 17 LEAVES RIGHT SIDE, 18 LEAVES LEFT SIDE AS SHOWN ON DWG. NO. 8358821.

(FOR DESIGN FEATURE PURPOSES, THIS STANDARD TAKES PRECEDENCE OVER PROCUREMENT DOCUMENTS REFERENCED HEREIN).

(REFERENCED DOCUMENTS SHALL BE OF THE ISSUE IN EFFECT ON DATE OF INVITATIONS FOR BID).

THIS VEHICLE SHALL BE IN ACCORDANCE WITH DRAWINGS IN REFERENCED ENGINEERING PARTS LIST, COPIES OF WHICH MAY BE OBTAINED FROM:

U. S. ARMY TANK-AUTOMOTIVE CENTER  
ATTN: STANDARDIZATION BRANCH  
WARREN, MICHIGAN 48090.

CANCELLED AFTER 15 JUNE 85  
 NO SUPERSEDING STANDARD.

This military standard is approved for use by all Departments and Agencies of the Department of Defense. Selection for all new engineering and design applications and for repetitive use shall be made from this document when applicable.  
 DISTRIBUTION STATEMENT A. Approved for public release; distribution is unlimited.

P.A. MO (ATAC)	TITLE	MILITARY STANDARD
Other Cust NAVY-MC	CHASSIS, TRUCK, MILITARY DESIGN, M 56 BI, 3/4 TON, 4 X4, 126 INCH WHEELBASE	MS 51391
PROCUREMENT SPECIFICATION MIL-T-10204	SUPERSEDES:	SHEET 2